

**Meiko
Door Type
Warewasher**



Spare Parts List

DV 120.2 208 – 230V/460V 60HZ 1P/3P MIKE 2





Contents

01.18 Wash Pump
03.24 Wash system
04.25 Solenoid valve
06.07 Level control
08.37 Incorporated boiler
09.15 Tank heating
10.14 Dosing units
11.37 Electronic control 208-230V 1~
11.38 Electronic control 208-230V 3~
11.48 Electronic control 460V 3~
11.58 Incoming Power Terminal Blocks
13.27 Component blocks / parts
13.37 Wash Tank
14.08 Hood Rod
18.10 Drain pump
19.01 Drain Water Tempering Kit
22.13 Booster pump
24.06 Air gap



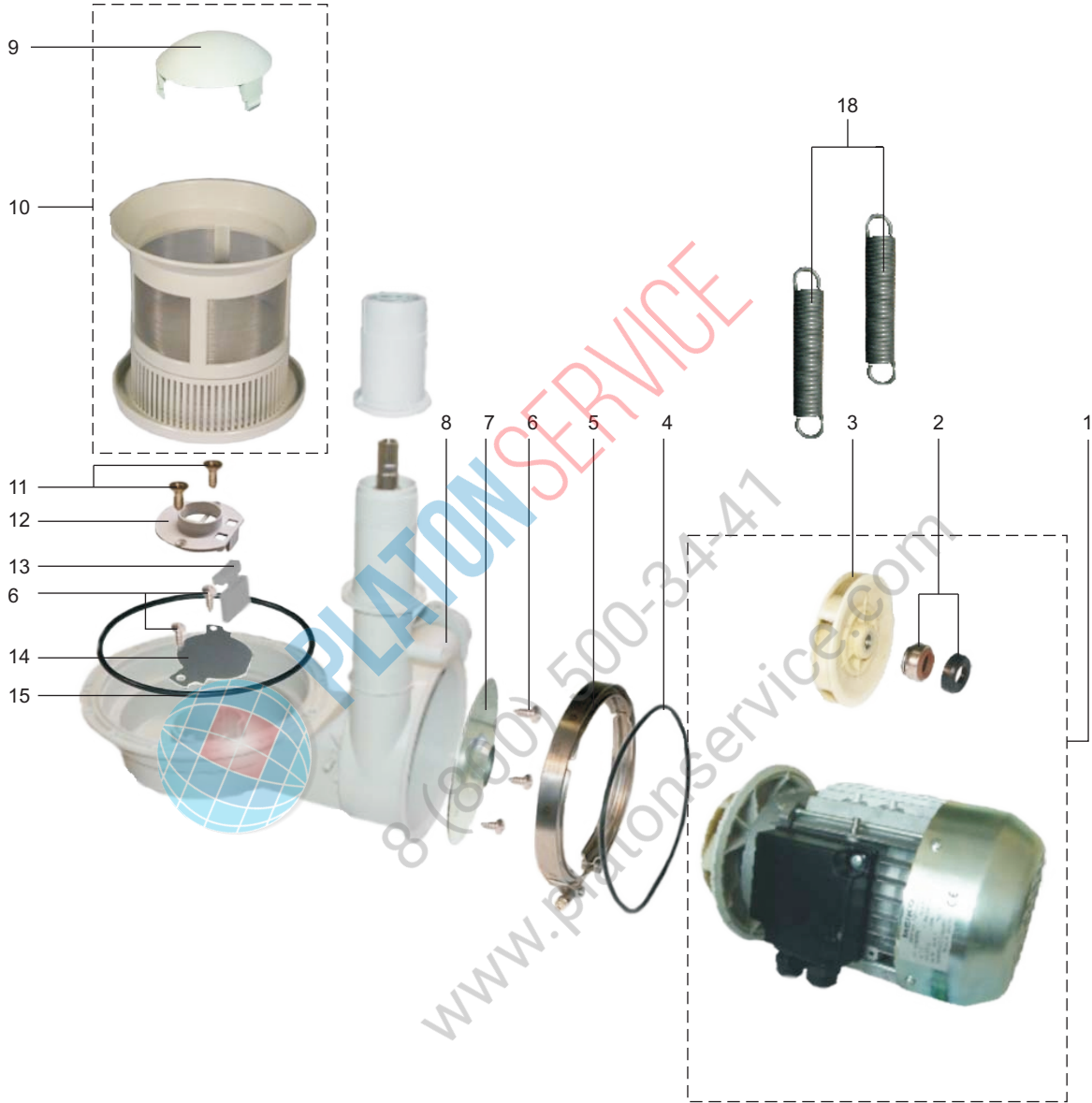
LEGEND KEY FOR PARTS

- * RECOMMENDED SPARE PARTS
- V WEAR AND TEAR PART

WE RESERVE THE RIGHT TO CHANGE
EXECUTION AND CONSTRUCTION.

MEIKO USA Inc.
1349 Heil Quaker Blvd.
La Vergne, TN 37086
Toll Free (800) 55-MEIKO (For general inquiries)
2 4-Hour Service (800) 866-3840 or (615) 399-6600
FAX (615) 399-6620
www.meiko.us
Info@meiko.us

01.18 WASH PUMP - STANDARD HOOD

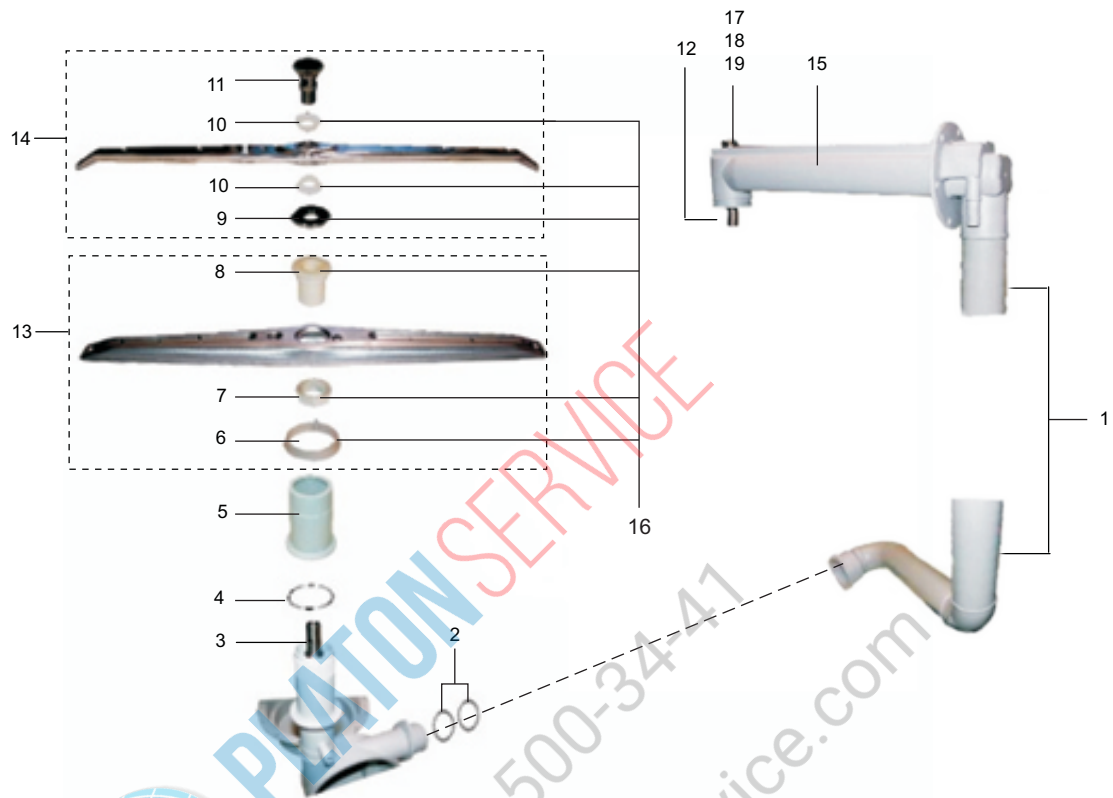




01.18 WASH PUMP - STANDARD HOOD

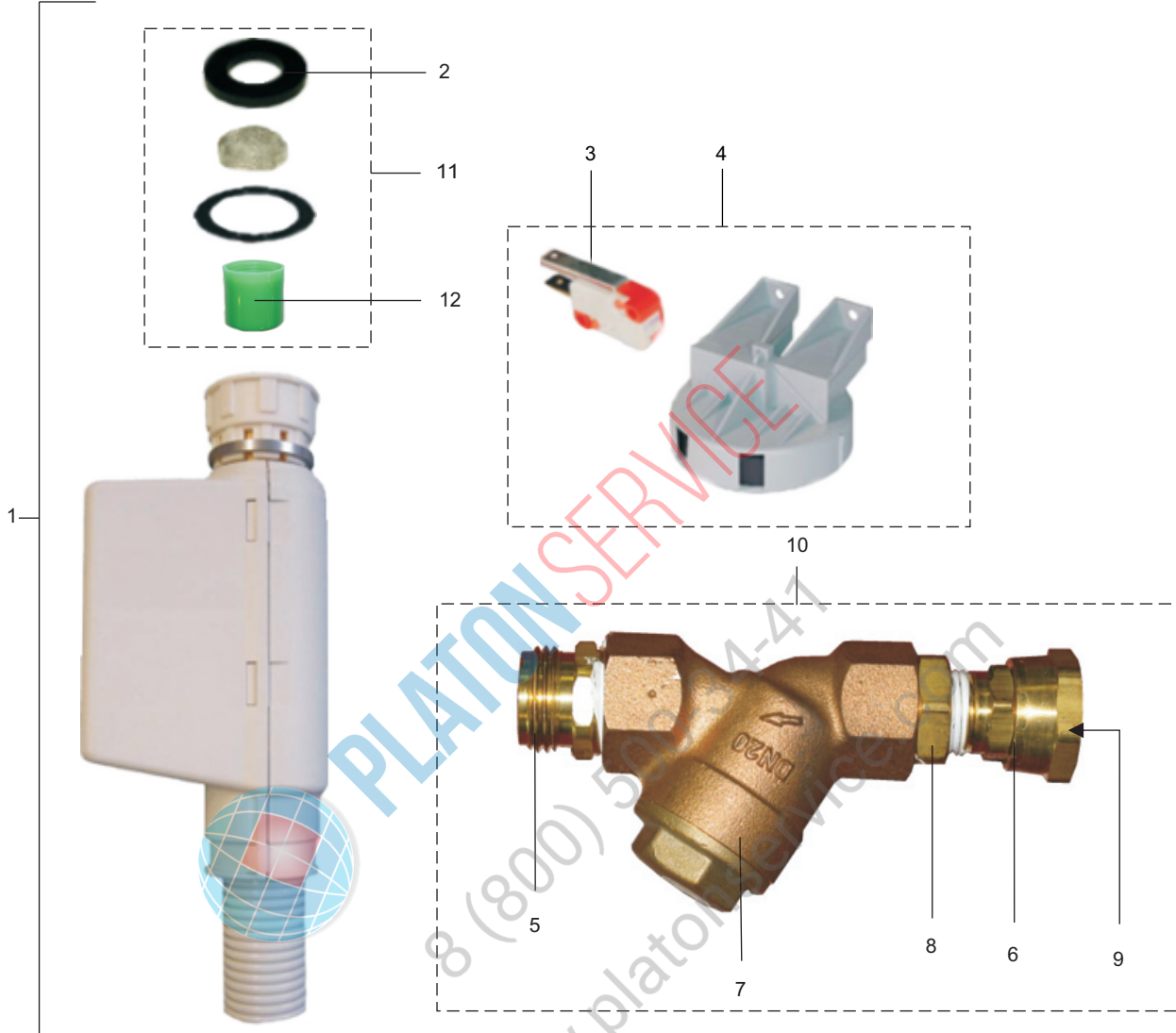
POS.	PART #	DESCRIPTION
1	9542306	WASH PUMP 1.5 KW CPL. 200-265V / 346-460V 60HZ
2	9519539	SLIDING SEAL
3	9542309	IMPELLER DV120.2 60HZ
4	9515339	O-RING
5	9640601	CLAMP FOR WASH PUMP
6	0330020	SHEET METAL SCREW
7	9542165	PUMP BASE DV120.2
8	9538643	PUMP HOUSING
9	9607788	COVER
10	9612003	SUCTION SIEVE CPL.
11	0330039	SCREW
12	9600744	DRAIN VALVE
13	9601543	FLAP
14	9549510	DEFLECTION SHEET
15	0401061	O-RING 50 X 3
16	9608780	FREQUENCY INVERTER 208-240V 1-PHASE
16	9681934	FREQUENCY INVERTER 208-240V 3-PHASE
16	9679478	FREQUENCY INVERTER 460V 3-PHASE
17	9542550	POWER FILTER
18	9549548	TENSION SPRING

03.24 WASH SYSTEM



POS.	PART #	DESCRIPTION
1	9538681	ASCENDING PIPE
2	9541533	O-RING 46 X 3
3	9514453	LOWER BEARING NECK
4	9541532	O-RING
5	9538625	NUT
6	9520931	RING
7	9517398	NUT
8	9517397	BEARING
9	9604483	DISK
10	9522439	BEARING
11	9517409	KNURLED SCREW
12	9538645	FIXING TUBE
13	9517391	WASH ARM CPL.
14	9547257	FINAL RINSE ARM CPL.
15	0401065	O-RING 84 X 2
16	9207851	WASH / RINSE ARM BEARING KIT
17	9550206	CLOSING CAP
18	8004468	SPACER DISC
19	0401016	O-RING 21 X 2

04.25 SOLENOID VALVE



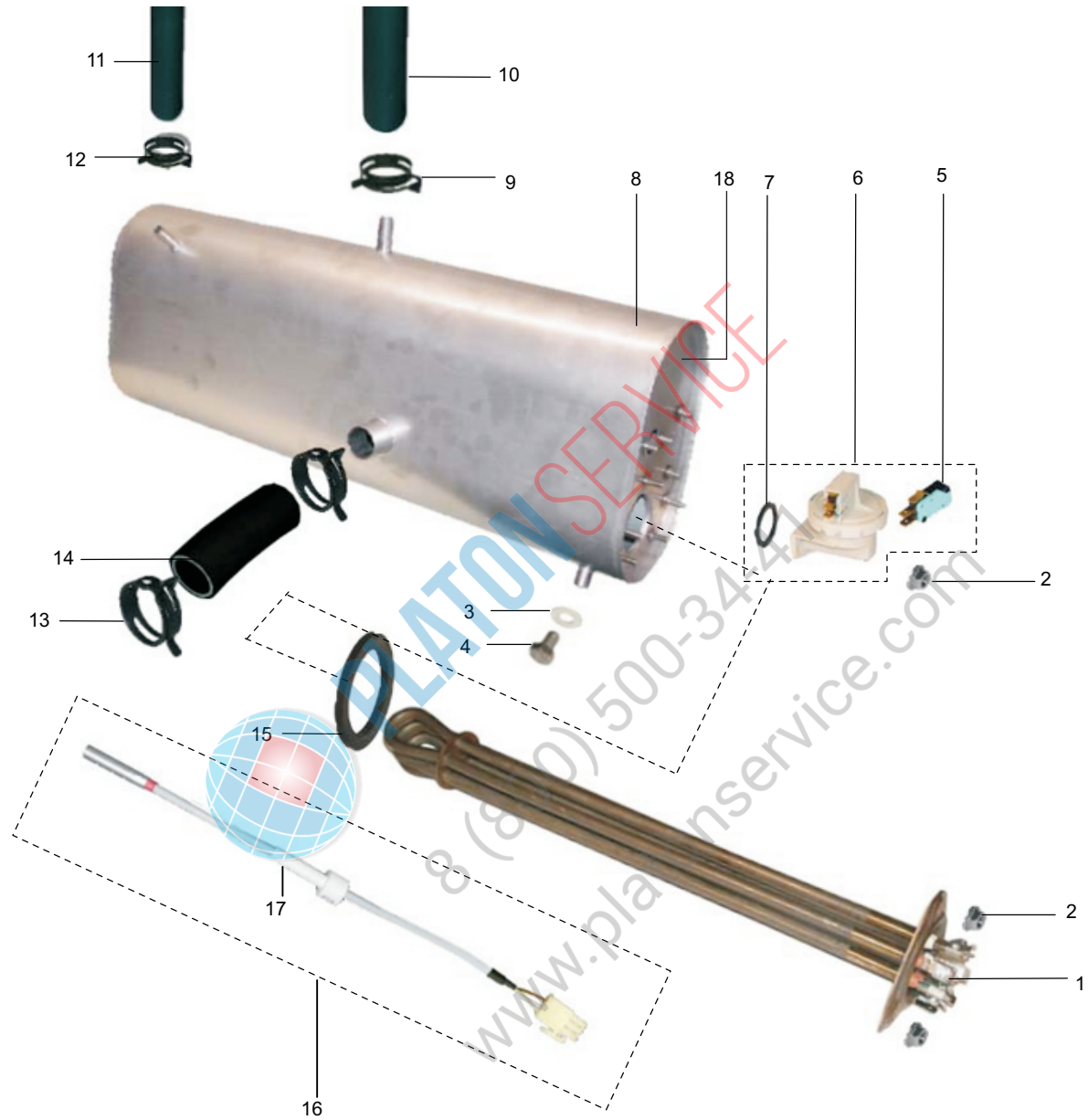
POS.	PART #	DESCRIPTION
1	9207753	AQUASTOP
2	9500321	GASKET
3	9622932	MICROSWITCH
4	9622935	FLOAT SWITCH
5	9250127	GARDEN HOSE ADAPTER 3/4" X 1/2"NPT
6	9207228	SWIVEL HOSE CONNECTOR 1/2"NPT
7	0225008	Y-STRAINER BRASS 3/4"
8	9250209	REDUCER BUSHING, BRASS 3/4" X 1/2"
9	9207230	HOSE GASKET
10	9207229	Y STRAINER ASSEMBLY CPL.
11	9207989	AQUASTOP REBUILD KIT
12	9207779	FLOW RESTRICTOR 2.26 GPM - GREEN

06.07 LEVEL CONTROL



POS.	PART #	DESCRIPTION
1	9537961	PRESSURE SENSOR
2	9655080	HOSE CLAMP
3	0260006	HOSE, TRANSPARENT
4	9601265	HOSE BRACKET
5	9655015	HOSE CLAMP
6	9515957	NUT 3/8"
7	9515964	SEAL
8	9515955	AIR TRAP

08.37 INCORPORATED BOILER

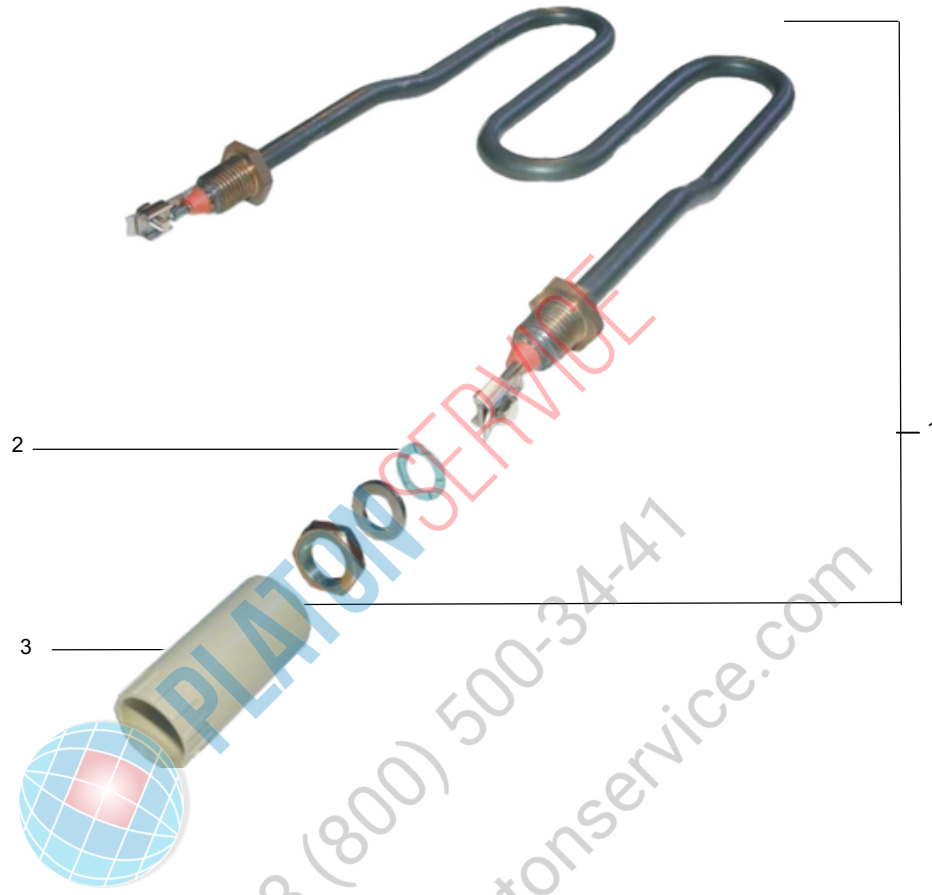




08.37 INCORPORATED BOILER

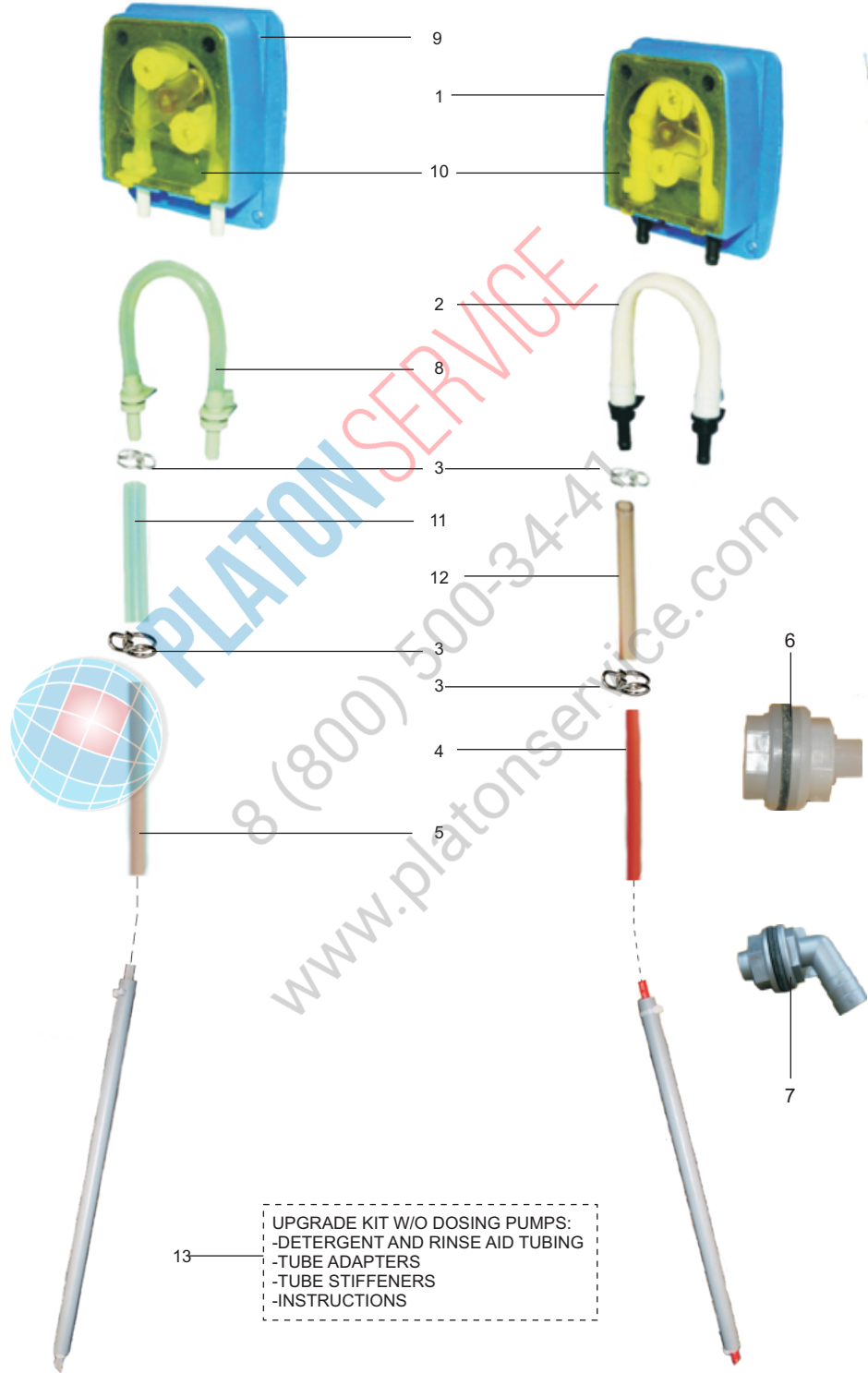
POS.	PART #	DESCRIPTION
1	9546196	HEATING ELEMENT 9 KW WITH THERMAL PROTECTION FOR 208 - 240V
1	9546252	HEATING ELEMENT 9 KW WITH THERMAL PROTECTION FOR 460V
2	0335008	NUT M5
3	9522687	PACKING
4	0302006	SCREW M8 X 15
5	0122103	SWITCH
6	9207519	LEVEL SWITCH CPL.
7	0401014	O-RING
8	9538706	BOILER HOUSING
9	0233035	HOSE CLAMP
10	9608600	HOSE 1/2"
11	9608607	HOSE 3/8"
12	0233035	HOSE CLAMP
13	0233045	HOSE CLAMP
14	9530724	HOSE
15	0101176	HEATING ELEMENT GASKET
16	9640339	TEMPERATURE PROBE ASSEMBLY
16	9642324	TEMPERATURE PROBE ASSEMBLY W/ QUICK DISCONNECT UPGRADE
17	9639301	CABLE CLIP
18	0108038	TEMPERATURE LIMITER FOR 460V

09.15 TANK HEATING



POS.	PART #	DESCRIPTION
1	9546105	TANK HEATING ELEMENT 2 KW 208-240V
2	0408008	GASKET
3	9548754	PROTECTION AGAINST CONTACT

10.14 DOSING UNITS





10.14 DOSING UNITS

POS.	PART #	DESCRIPTION
1	9544292	DETERGENT DOSING PUMP CPL.
2	9511675	DETERGENT SQUEEZE TUBE
3	9655015	HOSE CLAMP
4	9207252	DETERGENT TUBING RED
5	9207253	RINSE AID TUBING WHITE
6	9250135	BULKHEAD PLUG
7	9250160	INJECTION FITTING
8	9544088	RINSE AID SQUEEZE TUBE
9	9544293	RINSE AID DOSING PUMP CPL.
10	9203579	YELLOW DOSING PUMP COVER
11	9207382	BLUE HOSE ADAPTER 2.5" (MADE FROM 9538712)
12	9207383	CLEAR HOSE ADAPTER 2.5" (MADE FROM 0260007)
13	9207500	CHEMICAL TUBING KIT



PLATON SERVICE
8 (800) 500-34-41
www.platonservice.com



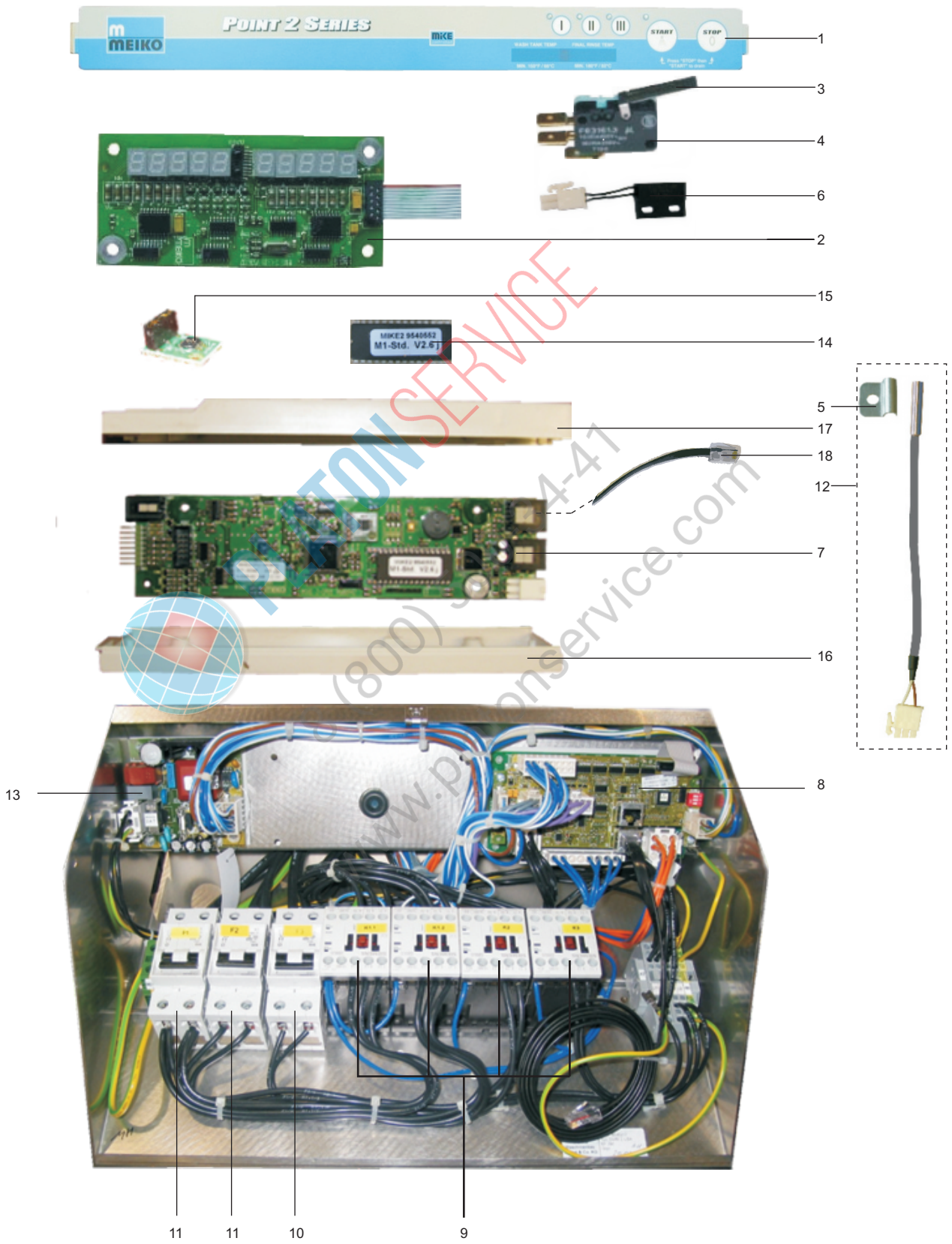
10.14a CHEMICAL PICKUP TUBES

FOR MACHINES SHIPPED BEFORE 4/28/2008 SERIAL NUMBER < 10113866	FOR MACHINES SHIPPED BETWEEN 4/28/2008 - 02/09/2010 SERIAL NUMBER > 10113866 AND < 30002244	FOR MACHINES SHIPPED AFTER 2/09/2010 SERIAL NUMBER 30002244
 <p>1</p>	 <p>2</p>	 <p>3</p>

POS.	PART #	DESCRIPTION
1	8005393	SUCTION LANCE
2	9207327	TUBE - 1/4" CPVC SCH. 80
3	9666201	SUCTION LANCE WITH LEVEL SENSOR



11.37 ELECTRONIC CONTROL 208-230V 1~



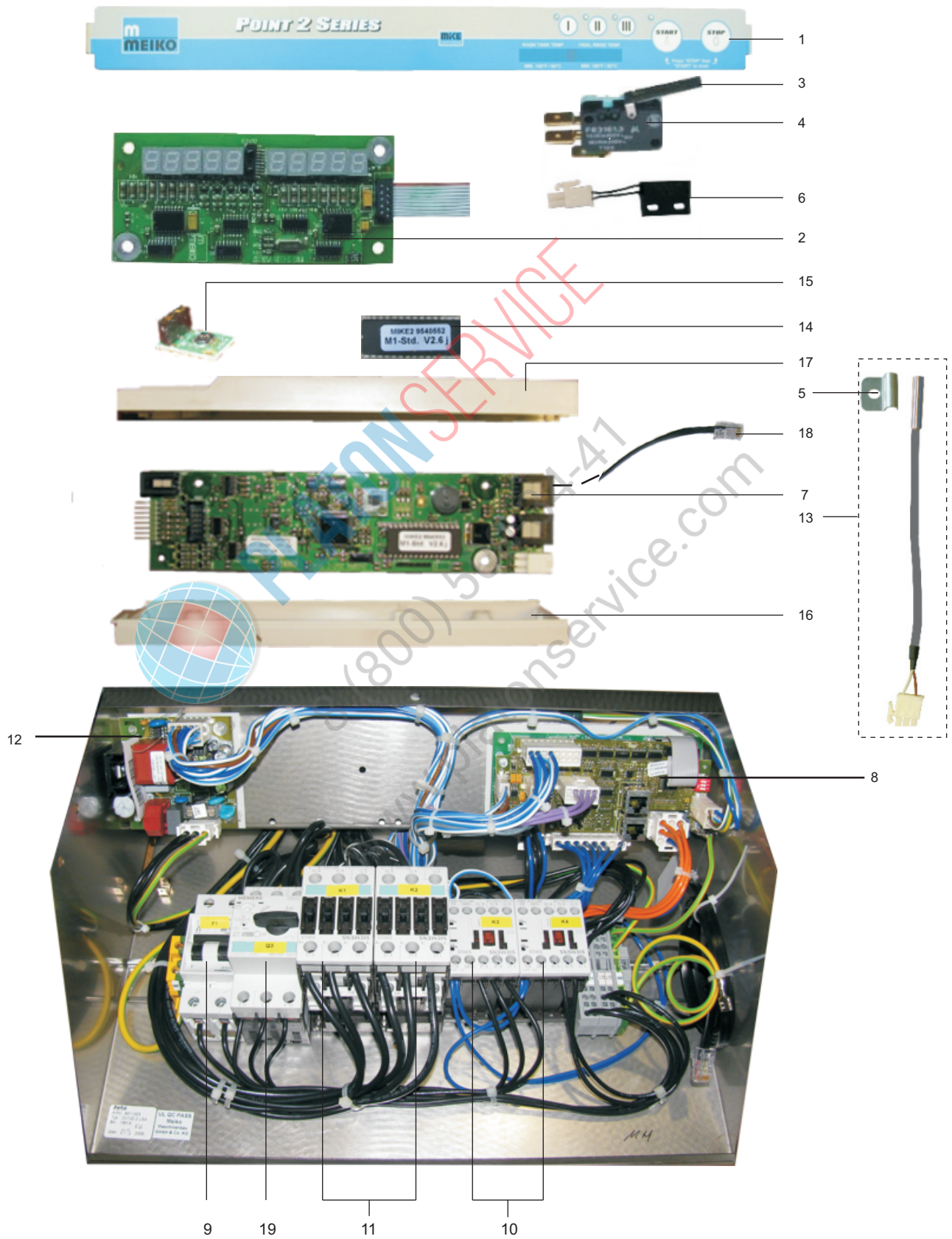


11.37 ELECTRONIC CONTROL 208-230V 1~

POS.	PART #	DESCRIPTION
1	9207357	TOUCHPAD KIT
2	9542049	DISPLAY PCB WITH HOUSING
	9541916	DISPLAY PCB HOUSING
3	0122106	LEVER
4	0122103	MICROSWITCH
5	9639363	SUPPORT FOR TEMPERATURE SENSOR
6	8302780	MAGNETIC DOOR SWITCH
	0122013	DOOR MAGNET
7	9541525	CPU CIRCUIT BOARD ASSEMBLY KIT
8	9617235	INPUT / OUTPUT CIRCUIT BOARD
	9611761	FUSE 16A 20MM
9	9521021	CONTACTOR
10	9544819	CIRCUIT BREAKER 20A
11	9544820	CIRCUIT BREAKER 50A
12	9640338	WASH TANK TEMPERATURE PROBE ASSEMBLY KIT
12	9649173	WASH TANK TEMPERATURE PROBE ASSEMBLY KIT WITH WIRE NUTS
13	9626264	POWER SUPPLY CIRCUIT BOARD
14	9604262	E-PROM - FOR UNITS SHIPPED AFTER 02/2010 NOTE: SERIAL NUMBER MUST BE PROVIDED WHEN ORDERING
14	9540552	E-PROM - FOR UNITS SHIPPED BEFORE 02/2010 NOTE: SERIAL NUMBER MUST BE PROVIDED WHEN ORDERING
15	9615751	EE-PROM NOTE: SERIAL NUMBER MUST BE PROVIDED WHEN ORDERING
16	9541141	CPU BOARD HOUSING BOTTOM
17	9541139	CPU BOARD HOUSING TOP
18	9635757	COMMUNICATION RIBBON CABLE 1500MM
	9007304	DV80.2 FRONT PANEL FOIL



11.38 ELECTRONIC CONTROL 208-230V 3~



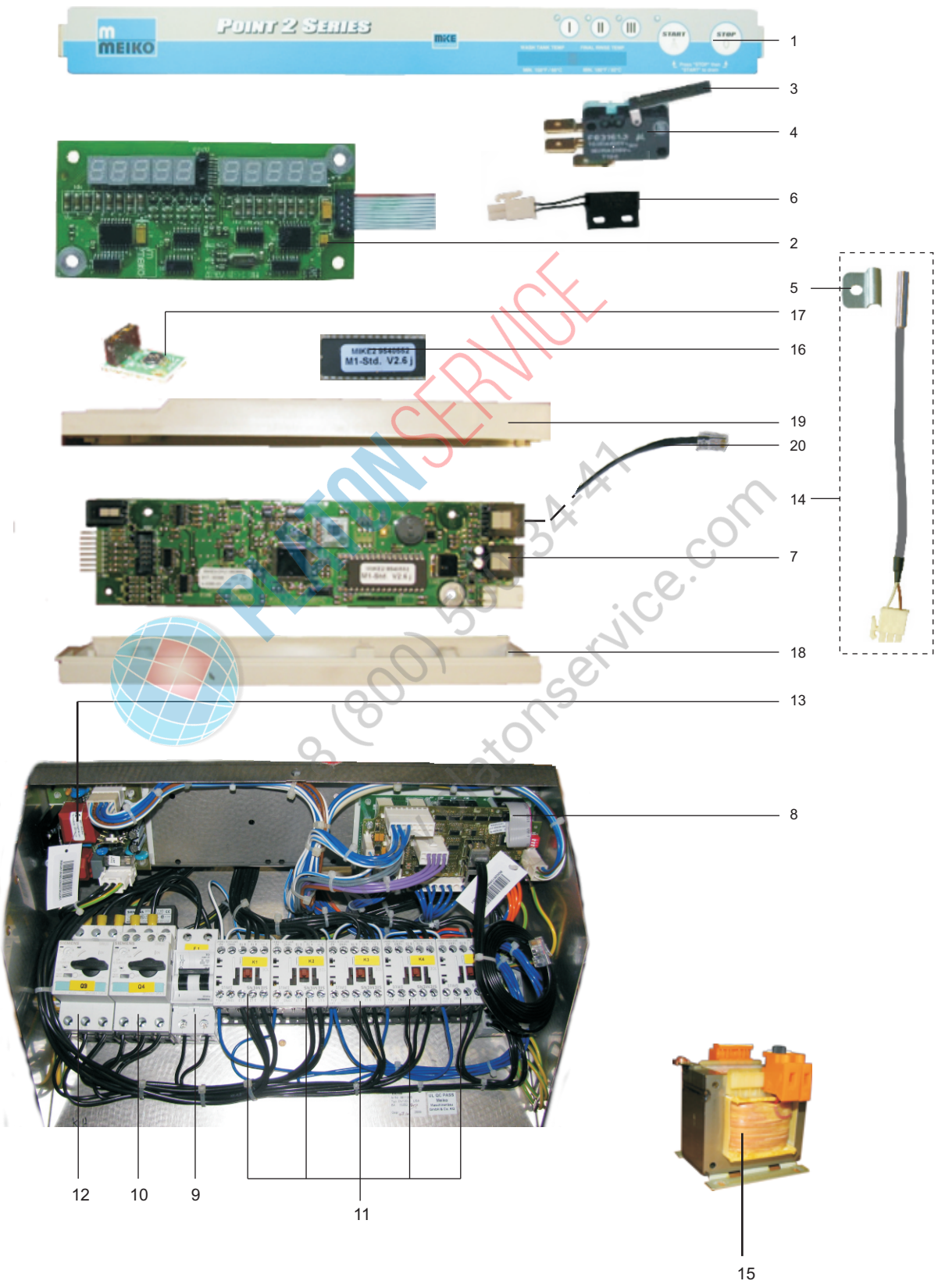


11.38 ELECTRONIC CONTROL 208-230V 3~

POS.	PART #	DESCRIPTION
1	9207357	TOUCHPAD KIT
2	9542049	DISPLAY PCB WITH HOUSING
	9541916	DISPLAY PCB HOUSING
3	0122106	LEVER
4	0122103	MICROSWITCH
5	9639363	SUPPORT FOR TEMPERATURE SENSOR
6	8302780	MAGNETIC DOOR SWITCH
	0122013	DOOR MAGNET
7	9541525	CPU CIRCUIT BOARD ASSEMBLY KIT
8	9617235	INPUT / OUTPUT CIRCUIT BOARD
	9611761	FUSE 16A 20MM
9	9542512	CIRCUIT BREAKER 10A
10	9541021	CONTACTOR
11	9542897	CONTACTOR
12	9626264	POWER SUPPLY CIRCUIT BOARD
13	9640338	WASH TANK TEMPERATURE PROBE ASSEMBLY KIT
13	9649173	WASH TANK TEMPERATURE PROBE ASSEMBLY KIT WITH WIRE NUTS
14	9604292	E-PROM - FOR UNITS SHIPPED AFTER 02/2010 NOTE: SERIAL NUMBER MUST BE PROVIDED WHEN ORDERING
14	9540552	E-PROM - FOR UNITS SHIPPED BEFORE 02/2010 NOTE: SERIAL NUMBER MUST BE PROVIDED WHEN ORDERING
15	9615751	EE-PROM NOTE: SERIAL NUMBER MUST BE PROVIDED WHEN ORDERING
16	9541141	CPU BOARD HOUSING BOTTOM
17	9541139	CPU BOARD HOUSING TOP
18	9635757	COMMUNICATION RIBBON CABLE 1500MM
	9007304	DV80.2 FRONT PANEL FOIL
19	9544339	MOTOR OVERLOAD 9 - 12.5A



11.48 ELECTRONIC CONTROL 460V 3~





11.48 ELECTRONIC CONTROL 460V 3~

POS.	PART #	DESCRIPTION
1	9207357	TOUCHPAD KIT
2	9542049	DISPLAY PCB WITH HOUSING
	9541916	DISPLAY PCB HOUSING
3	0122106	LEVER
4	0122103	MICROSWITCH
5	9639363	SUPPORT FOR TEMPERATURE SENSOR
6	8302780	MAGNETIC DOOR SWITCH
	0122013	DOOR MAGNET
7	9541525	CPU CIRCUIT BOARD ASSEMBLY KIT
8	9617235	INPUT / OUTPUT CIRCUIT BOARD
	9611761	FUSE 16A 20MM
9	9542512	CIRCUIT BREAKER 10A
10	9531837	MOTOR OVERLOAD FOR M2 0.35A - 0.50A
11	9521021	CONTACTOR
12	9540601	MOTOR OVERLOAD 7.0A - 10.0A
13	9626264	POWER SUPPLY CIRCUIT BOARD
14	9640338	WASH TANK TEMPERATURE PROBE ASSEMBLY KIT
14	9649173	WASH TANK TEMPERATURE PROBE ASSEMBLY KIT WITH WIRE NUTS
15	9545996	TRANSFORMER
16	9604262	E-PROM - FOR MACHINES SHIPPED AFTER 02/2010 NOTE: SERIAL NUMBER MUST BE PROVIDED WHEN ORDERING
16	9540552	E-PROM - FOR MACHINES SHIPPED BEFORE 02/2010 NOTE: SERIAL NUMBER MUST BE PROVIDED WHEN ORDERING
17	9615751	EE-PROM NOTE: SERIAL NUMBER MUST BE PROVIDED WHEN ORDERING
18	9541141	CPU BOARD HOUSING BOTTOM
19	9541139	CPU BOARD HOUSING TOP
20	9635757	COMMUNICATION RIBBON CABLE 1500MM
	9007304	DV80.2 FRONT PANEL FOIL

11.58 INCOMING POWER TERMINAL BLOCKS



POS.	PART #	DESCRIPTION
1	9545209	TERMINAL BLOCK
2	0153275	TERMINAL BLOCK GROUND

13.27 COMPONENT BLOCKS/PARTS



POS.	PART #	DESCRIPTION
1	9651755	TOP PANEL SPRING COVER
2	9539341	SIDE PANEL
3	9651983	BACK PANEL W/ LOUVERS
4	9533829	PLASTIC FOOT ADJUSTABLE
5	9547320	CONTROL PANEL FRONT
	9547313	ADHESIVE STRIP FOR PANELS
6	8004126	DOOR HOOD
THE FOLLOWING ITEMS ARE NOT SHOWN ON THIS PARTS BREAKDOWN		
	0620455	SPACER FOR CLADDING
	0463052	HOOD ROD GUIDE LEFT
	0463053	HOOD ROD GUIDE RIGHT

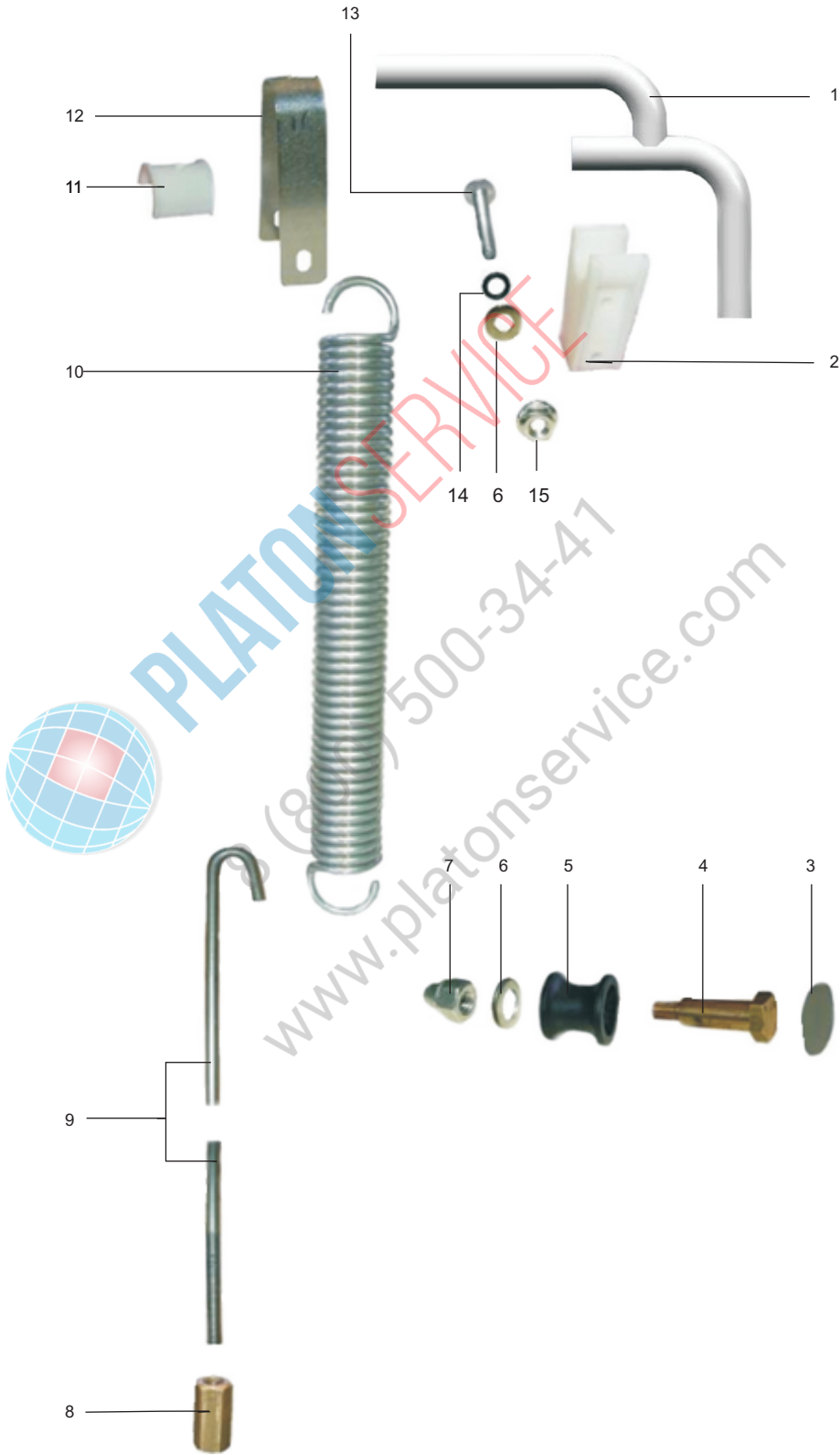
Screw for panel is Part Number 0306110
 Beauty Ring for Screw is Part Number 0340035

13.37 WASH TANK



POS.	PART #	DESCRIPTION
1	9540851	COVERING SIEVE RIGHT CPL.
2	9540865	COVERING SIEVE LEFT CPL.
3	9546947	BASKET HOLDER CPL.

14.08 HOOD ROD





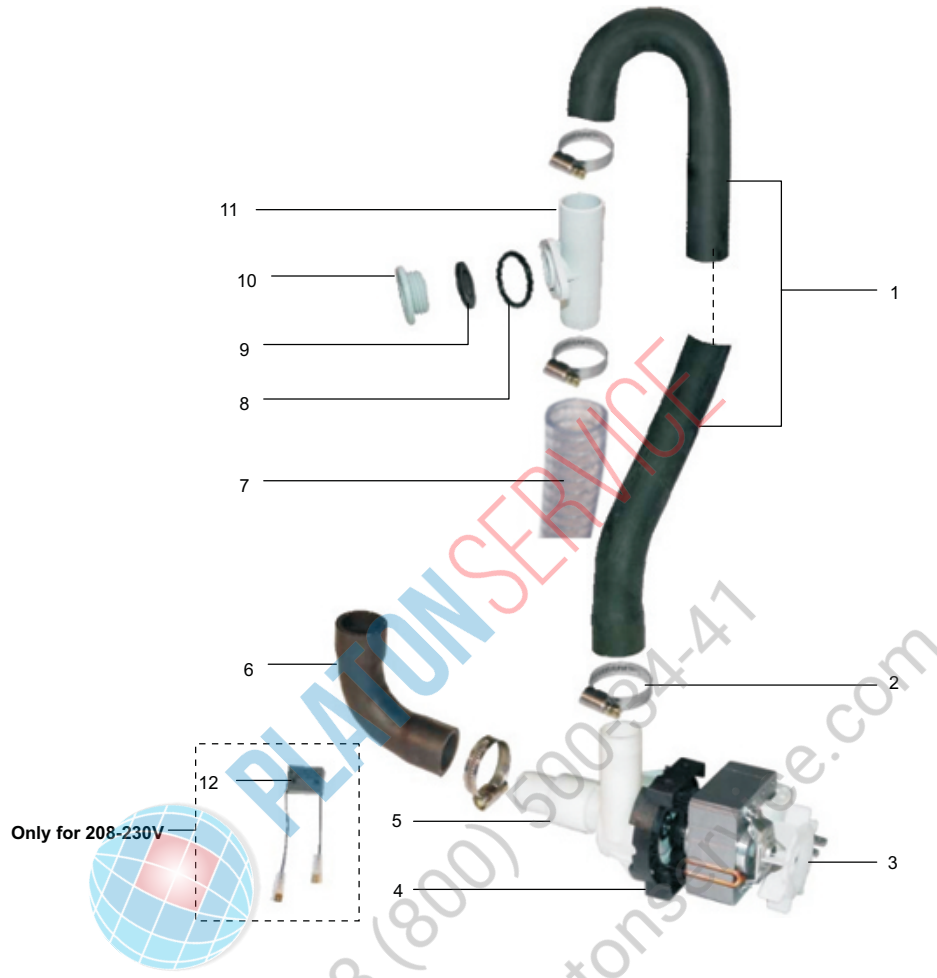
14.08 HOOD ROD

POS.	PART #	DESCRIPTION
1	0251103	HOOD ROD
2	0620449	HOOD ROD BEARING
3	8004480	HOOD ROLLER COVER
4	8000220	HOOR ROLLER BOLT
5	0620451	HOOD ROLLER
6	0340006	WASHER
7	0337005	CAP NUT M8
8	8004147	TENSION NUT M8
9	8004425	TENSION SCREW M8 X 760MM
10	0430006	TENSION SPRING
11	0620445	SLIDING BEARING FOR SPRING
12	8004144	UPPER SPRING SUSPENDER
13	9541450	OVAL HEAD SCREW
14	9541531	O-RING
15	0335015	HEX NUT M8



PLATON SERVICE
8 (800) 500-34-41
www.platonservice.com

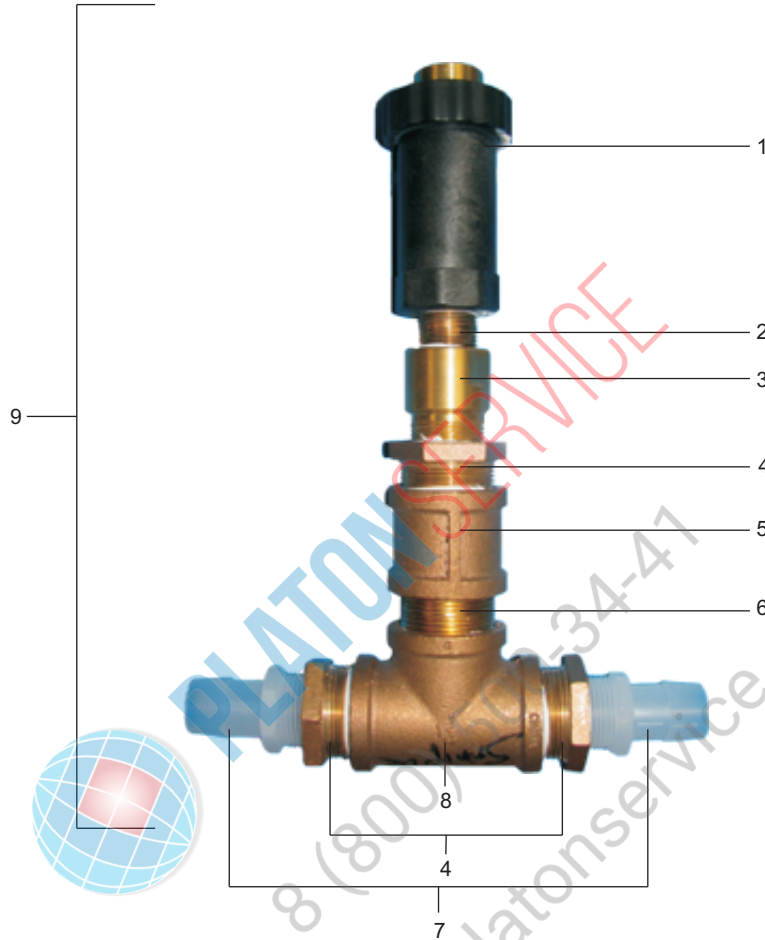
18.10 DRAIN PUMP



POS.	PART #	DESCRIPTION
1	9539185	HOSE CONNECTION
2	0233045	HOSE CLAMP 20 - 32
3	9207451	DRAIN PUMP CPL. FOR 208-230V
3	9207454	DRAIN PUMP CPL. FOR 460V
4	9523850	O-RING
5	9523849	PUMP HOUSING
6	9514680	HOSE CONNECTION
7	9207488	DRAIN HOSE W/ CLAMPS
8	0401016	O-RING 21MM X 2MM
9	9515234	ANTI-SIPHON FLAP
10	9515231	SCREW PLUG
11	9653649	DRAIN VENT VALVE
12	9550030	CAPACITOR FOR 208-230V



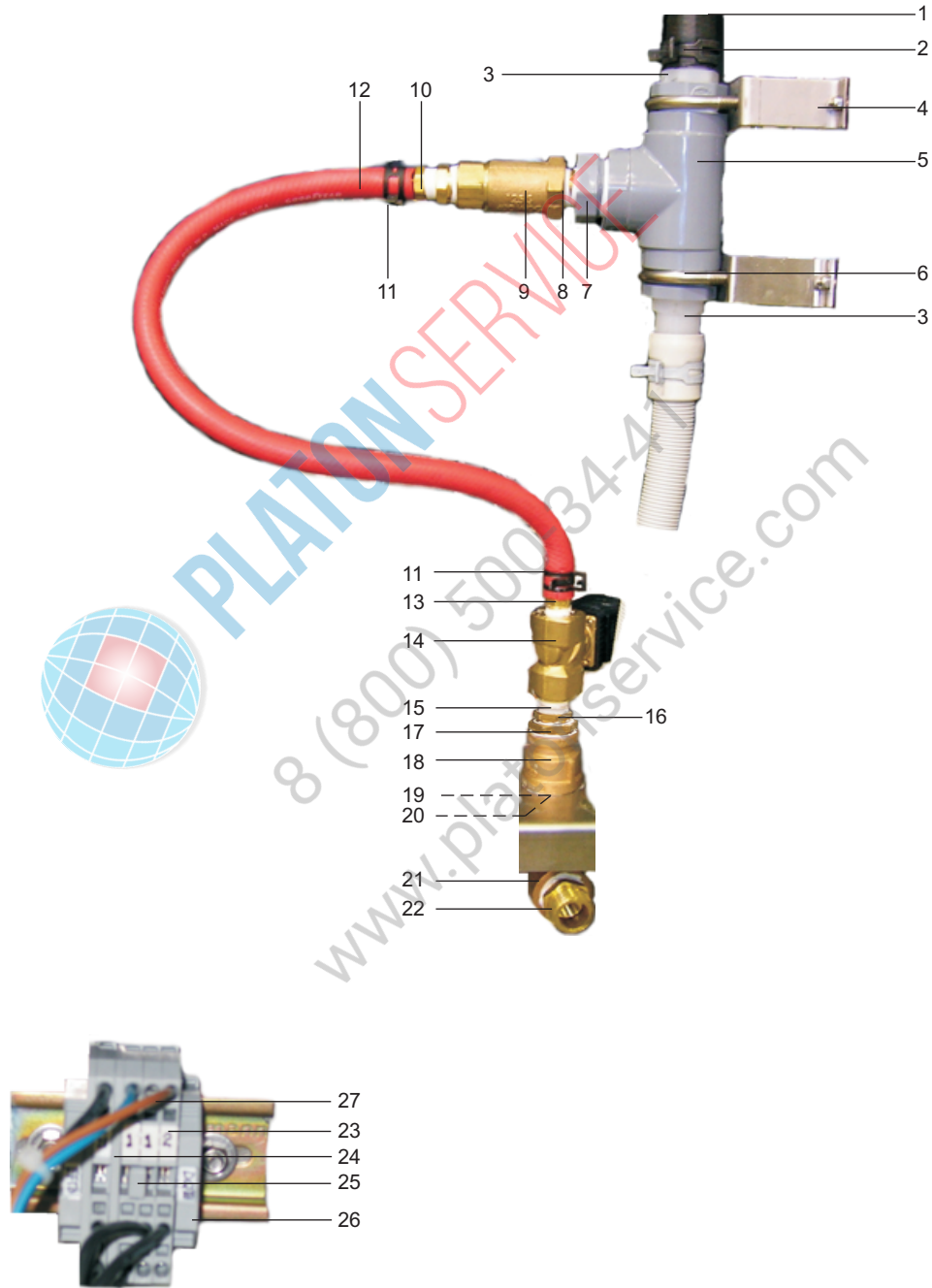
19.01 DRAIN WATER TEMPERING KIT
OPTIONAL FOR S/N: 30001694



POS.	PART #	DESCRIPTION
1	9207587	DOUBLE CHECK VALVE
2	9250036	CLOSE NIPPLE, BRASS 3/4" NPT
3	9207588	TEMPERING VALVE 3/4"
4	9207862	REDUCER BUSHING, BRASS 1-1/4" NPT X 1" NPT
5	9207860	COUPLER, 1-1/4" NPT
6	9207861	CLOSE NIPPLE, BRASS 1-1/4" NPT
7	9250208	HOSE FITTING 1"
8	9207863	TEE, BRASS 1-1/4" NPT
9	9207591	DRAIN WATER TEMPERING KIT



19.01 DRAIN WATER TEMPERING KIT
OPTIONAL FOR S/N: 30001694

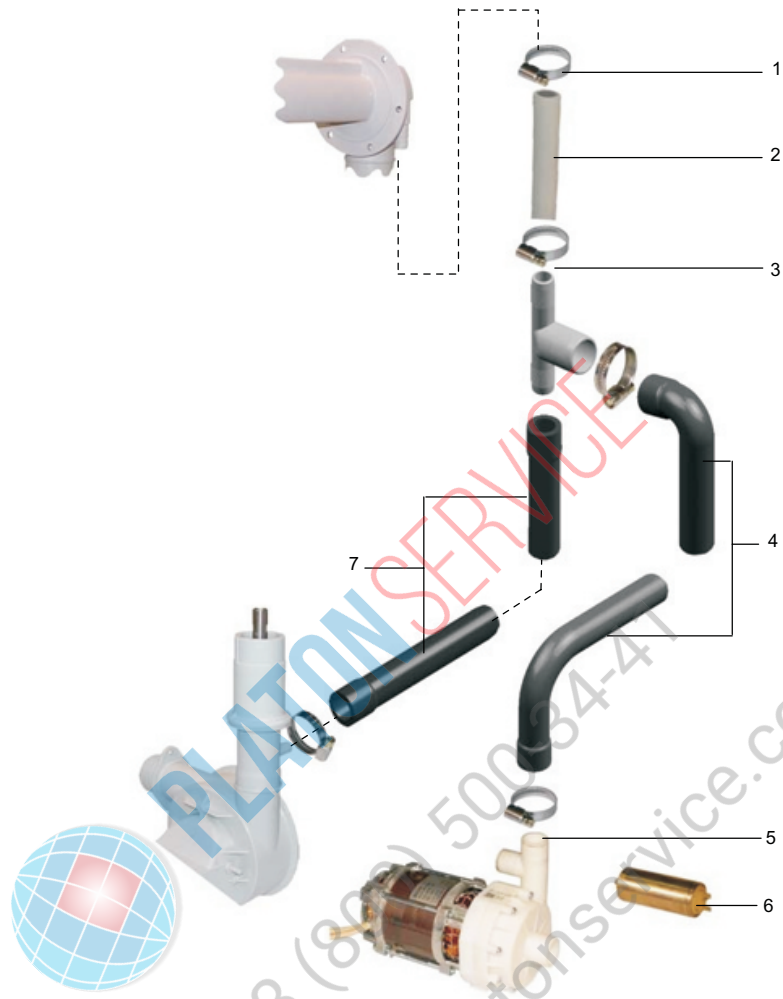




19.01 DRAIN WATER TEMPERING KIT
OPTIONAL FOR S/N: 30001694

POS.	PART #	DESCRIPTION
1	9517067	HOSE CONNECTION
2	9607417	HOSE CLAMP 30 X 12
3	9250208	HOSE FITTING 1"
4	9250105	BRACKET
5	9250113	TEE 1"
6	9250102	U-BOLT
7	9250103	REDUCER BUSHING 1" X 1/2"
8	9651479	CLOSE NIPPLE BRASS 1/2"
9	9250112	CHECK VALVE BRONZE 1/2"
10	9250172	HOSE BARB BRASS 1/2" X 3/8"
11	9609462	HOSE CLAMP 17 X 12
12	9207103	RED HOSE 3/8"
13	9250173	HOSE BARB BRASS 3/8" X 3/8"
14	9306463	SOLENOID VALVE 3/8" 240VAC
15	9207079	CLOSE NIPPLE 3/8"
16	9250115	REDUCER BUSHING BRASS 1/2" X 3/8"
17	9250209	REDUCER BUSHING BRASS 3/4" X 1/2"
18	9250051	THREADED COUPLING BRASS 3/4"
19	9250037	NIPPLE BRASS 3/4" X 2"
20	8660463	NUT BRASS
21	9250053	ELBOW BRASS 90 3/4"
22	9250127	GARDEN HOSE ADAPTER 3/4" X 1/2"
23	0153043	TERMINAL BLOCK CLAMP
24	0153073	END CAP
25	0153090	BRIDGE CONNECTOR
26	0153098	FINAL ANGLE
27	0180314	CABLE

22.13 BOOSTER PUMP



POS.	PART #	DESCRIPTION
1	0233045	HOSE CLAMP 20 - 32
2	9608600	HOSE 1/2"
3	9601255	HOSE DISTRIBUTOR
4	9601260	HOSE, BOOSTER DISCHARGE
5	9207455	BOOSTER PUMP CPL. FOR 208-230V
5	9207456	BOOSTER PUMP CPL. FOR 460V
	9523844	SLIDING SEAL CPL.
	9523260	O-RING
6	9520030	CAPACITOR 5 μ F FOR 208-230V
6	0501136	CAPACITOR 16 μ F FOR 460V
7	9601261	HOSE CONNECTION

24.06 AIR GAP



POS.	PART #	DESCRIPTION
1	9523195	AIR GAP
2	0650076	RUBBER SEAL
3	0233036	HOSE CLAMP
4	9207103	HOSE - FROM AQUASTOP 3/8"
5	9207253	RINSE AID TUBING - CLEAR
6	9605930	HOSE WIRE CLAMP
7	9608600	HOSE 1/2"
8	9608607	HOSE 3/8"
9	8000609	WATER GUIDE PLATE
10	9207382	BLUE HOSE ADAPTER
11	9609462	HOSE CLAMP 17 X 12
12	9607418	HOSE CLAMP 21 X 12